



The Reclining Backrest tilts back up to 35 degrees and the backrest height is 22" (56 cm) without the headrest. With the adjustable headrest, height range is from 28" to 33" (71 cm to 84 cm). Wipe clean padded vinyl covers help provide comfort and easy maintenance. Includes a pair of Side Support Pads (6333) for added comfort and skin protection.



- REF 633016** Reclining Backrest - 16" (41 cm) wheelchair
- REF 633018** Reclining Backrest - 18" (46 cm) wheelchair
- REF 633020** Reclining Backrest - 20" (51 cm) wheelchair

Monitoring

AWARNING ALWAYS follow your facility's policies and procedures for patient assessment, monitoring and rehabilitation

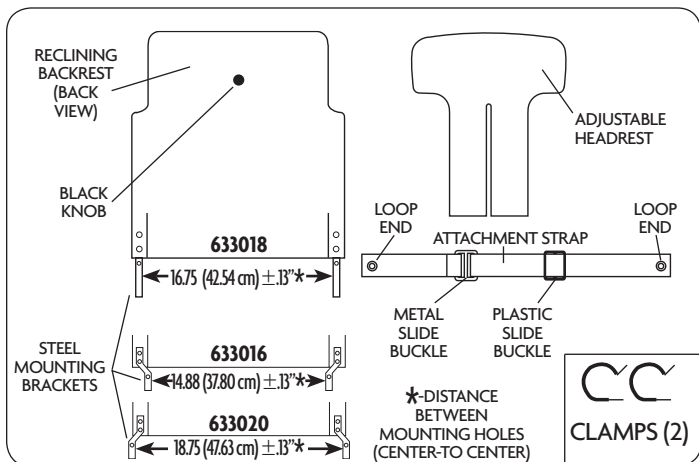
Inspection

AWARNING Inspect before each use: check for broken stitches or parts; torn, cut or frayed material; or buckles that do not hold securely. DO NOT use soiled or damaged products.

Reclining Backrest - Installation Instructions

(Tools required: #2 Phillips Screwdriver)

1. Remove the vinyl backrest from the wheelchair. Save the screws for steps 3 and 6.
2. Facing the back of the wheelchair, position the Reclining Backrest so the holes on the steel mounting brackets align with the bottom screw holes that hold the vinyl back on the wheelchair's vertical frame.
3. Secure the Reclining Backrest to the wheelchair frame using the screws from step 1.
4. Attach the clamps around the mounting brackets and vertical wheelchair frame so the clamp is positioned just below the screws used in step 3.
5. Secure the clamp with the screw and lock nut provided. Repeat procedure for the other side of the chair.
6. With the plastic slide buckle facing outward, slip one loop end of the blue attachment strap over either grip handle and thread the other end through the vinyl loop on the backrest. Slip the other loop end over the remaining grip handle. Position the strap to align the grommets with the upper most holes on the wheelchair frame. Secure the strap in place with the screws from step 1.
7. Adjust the angle of recline on the backrest by adjusting the attachment strap using the plastic slide buckle.



Side Support Pads - Installation Instructions

The Side Support Pads can be wrapped around the wheelchair backbars, armrests, legbars or other areas where the patient may be in contact with metal bars.

1. Orient the pad so the long hook and loop connecting straps are facing the patient.
2. Secure hook and loop tabs. Make sure the opening faces the back of the wheelchair.

REF 6333 Back Post Pads - 10"W x 9"H (25 cm x 23 cm)

Adjustable Headrest - Installation Instructions

(The plastic headrest support piece and padded vinyl headrest is included with all Reclining Backrests)

1. Loosen the black knob on the back of the Reclining Backrest.
2. Orient the Adjustable Headrest so the padded side faces toward the wheelchair front. Insert the Headrest support piece into the narrow slot at the top of the Reclining Backrest.
3. Adjust the Headrest to the desired height and secure with the black knob on the back of the Reclining Backrest.

Headrest Cushion - Installation Instructions (Optional)

Remove the vinyl headrest and attach the Headrest Cushion to the headrest piece using the hook & loop provided.

REF 6332 Headrest Cushion - 14"W x 6"H (36 cm x 15 cm)



Cleaning Instructions:

Side support, polypropylene strap and headrest cushion cover:

- Fasten all buckles to reduce risk of damage during wash and dry cycles. DO NOT put buckles through extractors.
- Inspect all buckles and metal parts after drying. Discard if damaged.



Vinyl and plastic components:

- Wipe Clean with mild detergent. OSHA approved intermediate level disinfectants can be used per manufacturer instructions. DO NOT use phenol and benzyl based disinfectants.
- After cleaning, products MUST be rinsed with water to remove any residual chemicals.
- Make sure products are completely dry before use.



Disposal

AWARNING Properly dispose of the product per facility's policy for BIOHAZARDOUS materials.

Storage and Handling

This device is designed for use in normal indoor environments. This device may be stored in ambient warehouse temperatures at normal humidity levels. Avoid excess moisture or high humidity that may damage product materials.

AWARNING Use only on wheelchairs with a rear anti-tipping device or amputee adapter. **ALWAYS** test the strength and security of the product after installation. DO NOT seat a person until you have made sure that the product is applied securely and will hold the weight of the patient. When installed properly, the occupant weight capacity of this product is 250 lbs. (113 kgs.).

For information on the Posey Orthotic Seating System and optional accessories, please go online to www.posey.com, or call Customer Service at 1.800.447.6739 for our free brochure.